

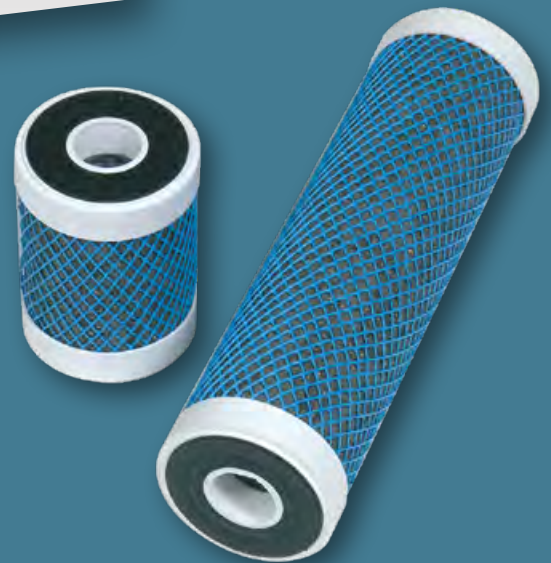


# Wave International Ltd Filtration Systems

*Main distributors for Wave International technically advanced marine filtration systems*



- **Wavestream** bilge filter systems
- **Wavebrite** waste water filter system
- **Flostream** drinking water filter system
- **Prostream** watermaker filter protection system
- **Waveair** holding tank vent filter system
- **Waveshine** wash & rinse system



# Wave Filtration Systems

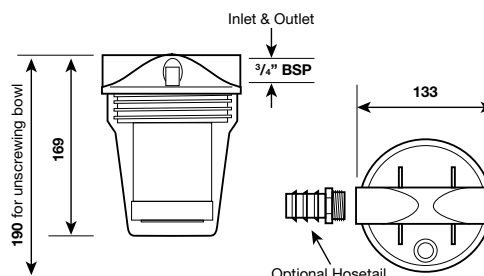
## Product Range

Effective control and prevention of oily contaminated bilge water. The Wavestream bilge filters are Lloyd's Register of shipping Type Approved and Boat Safety Scheme compliant. Wavestream provides an efficient way of managing bilge water removal without the need for holding tanks whilst still protecting the environment.

### Wavestream Micro Bilge Filter



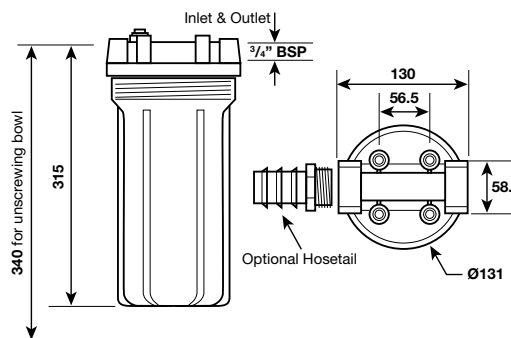
Ref: WMS - Part No. H000610	
Flow Rate	1 - 40 litres per minute
Maximum Pressure	8 bar
Maximum Temperature	40°C
Minimum Temperature	1 °C
Connection	3/4" BSP (3/4 NPT available)
Cartridge	WC-CM H000611
With Whale Orca 12V Pump	WMSFP H020978



### Wavestream System 1 Bilge Filter



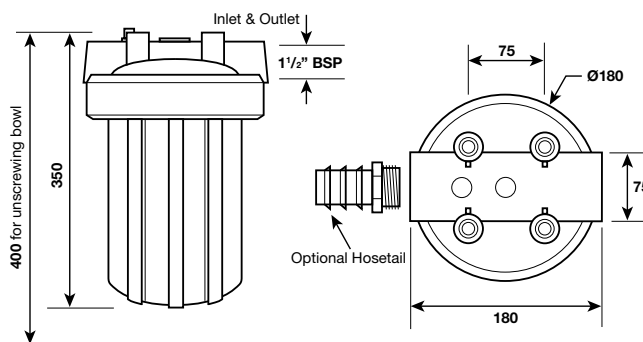
Ref: WSS1 - Part No. H000596	
Flow Rate	1 - 40 litres per minute
Maximum Pressure	6.2 bar
Maximum Temperature	40°C
Minimum Temperature	1 °C
Connection	3/4" BSP
Cartridge	WS-C1 H000597
With Whale Orca 12V Pump	WSS1FP H020982



### Wavestream System 2 Bilge Filter



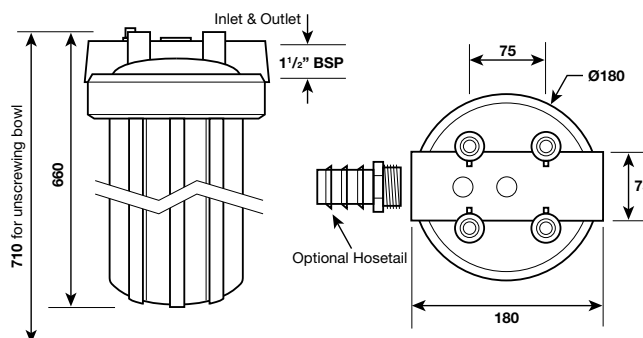
Ref: WSS2 - Part No. H000601	
Flow Rate	1 - 265 litres per minute
Maximum Pressure	6.8 bar
Maximum Temperature	37°C
Minimum Temperature	1 °C
Connection	1 1/2" BSP
Cartridge	WS-C2 H000602
With Whale Orca 12V Pump	WSS2FP H020983



### Wavestream System 3 Bilge Filter



Ref: WSS3 - Part No. H007262	
Flow Rate	1 - 265 litres per minute
Maximum Pressure	6.2 bar
Maximum Temperature	37°C
Minimum Temperature	1 °C
Connection	1 1/2" BSP
Cartridge	WS-C3 H000608
With Whale Orca 12V Pump	WSS3FP H020985



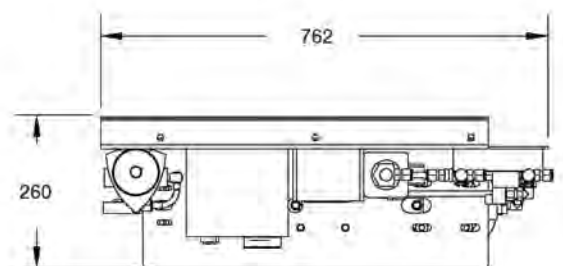
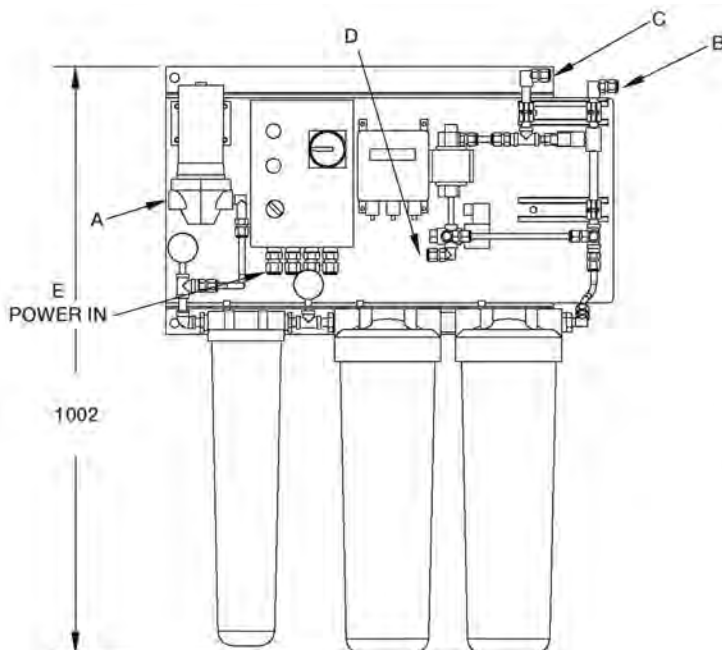
## Wavestream MiniBOSS IMO Bilge Filter System

**MPEC 107(49) Certified bilge filter system giving effective control and prevention of oily bilge water discharge using Wavestream System 3 filters.**

- MiniBOSS from Recovered Energy Inc., with Wavestream removes trace oils to less than 5 ppm, keeping within the IMO required 15 or 5 ppm levels
- IMO Certified Oil in Water Monitor with 18 month data logging, 2 models available
- Wave MiniBOSS 24 - 24V dc maximum flow rate 0.25m<sup>3</sup>/hr
- Wave MiniBOSS 110 - 110V ac maximum flow rate 0.50m<sup>3</sup>/hr
- Compact, light and easy to maintain with Wavestream high capacity cartridges



MiniBOSS		
Reference	Part No.	Description
WMBOSS	H020994	Wave MiniBOSS System
WS-C3	H000608	Wavestream System 3 Cartridge
Specifications		
Power Supply Options	24V dc or 110V ac	
A - Connection	Oily Water Inlet $\frac{3}{8}$ Nylon tube push lock	
B - Connection	Water out $\frac{3}{8}$ Nylon tube push lock	
C - Connection	Recycle water out $\frac{3}{8}$ Nylon tube push lock	
D - Connection	Cell clean water $\frac{3}{8}$ Nylon tube push lock	
E - Connection	Power in	



# Wave Filtration Systems

Product Range

## Wavebrite Waste Water Filter System

### Wavebrite discharge meets EU Council Directive concerning waste water treatment (91/271/EEC).

- Wavebrite has five main components with four stage waste water filtration; main Wavebrite module, pre-filters, pump, pump strainer and control
- Pump with automatic control, no holding tanks or pump out required
- The components are modular and can be located separately, connected by flexible hose for ease of installation
- Basic models have 15l/min maximum flow rate with an option to increase available on request

Wavebrite		
Reference	Part No.	Description
WBS	H020996	Wavebrite System 12 / 24V dc - complete with pump, filters, gauges, control pump, fittings and pipe
WBLite	H020997	Wavebrite Lite System 12 / 24V dc - complete as WBS for smaller boats
WB2010	H019882	Wavebrite 2010 System 12 / 24V dc - complete for boats with multiple showers and basins
WB2020	H020998	Wavebrite 2020 System 12 / 24V dc - complete as 2010 but larger capacity
WB100	H020999	Wavebrite 100 System 12 / 24V dc or ac - complete for S/Y and boats requiring larger capacity, processes up to 100 cubic metres
WB300	H02100	Wavebrite 100 System 12 / 24V dc or ac - complete for S/Y and boats requiring larger capacity, processes up to 300 cubic metres

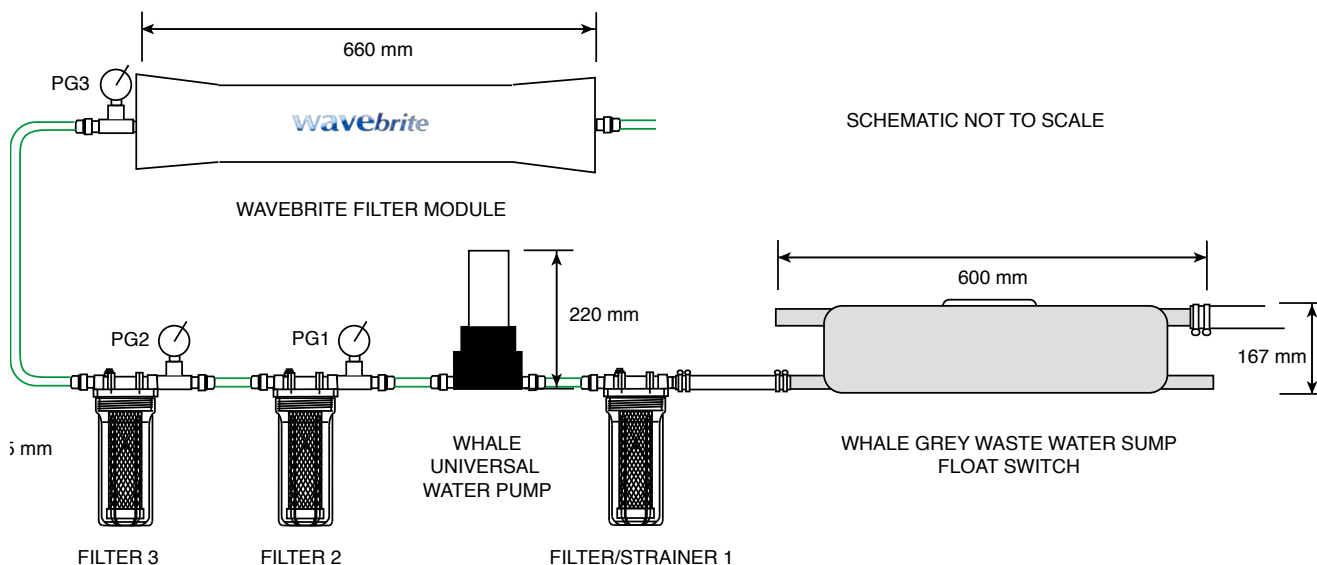
WB100 / 300



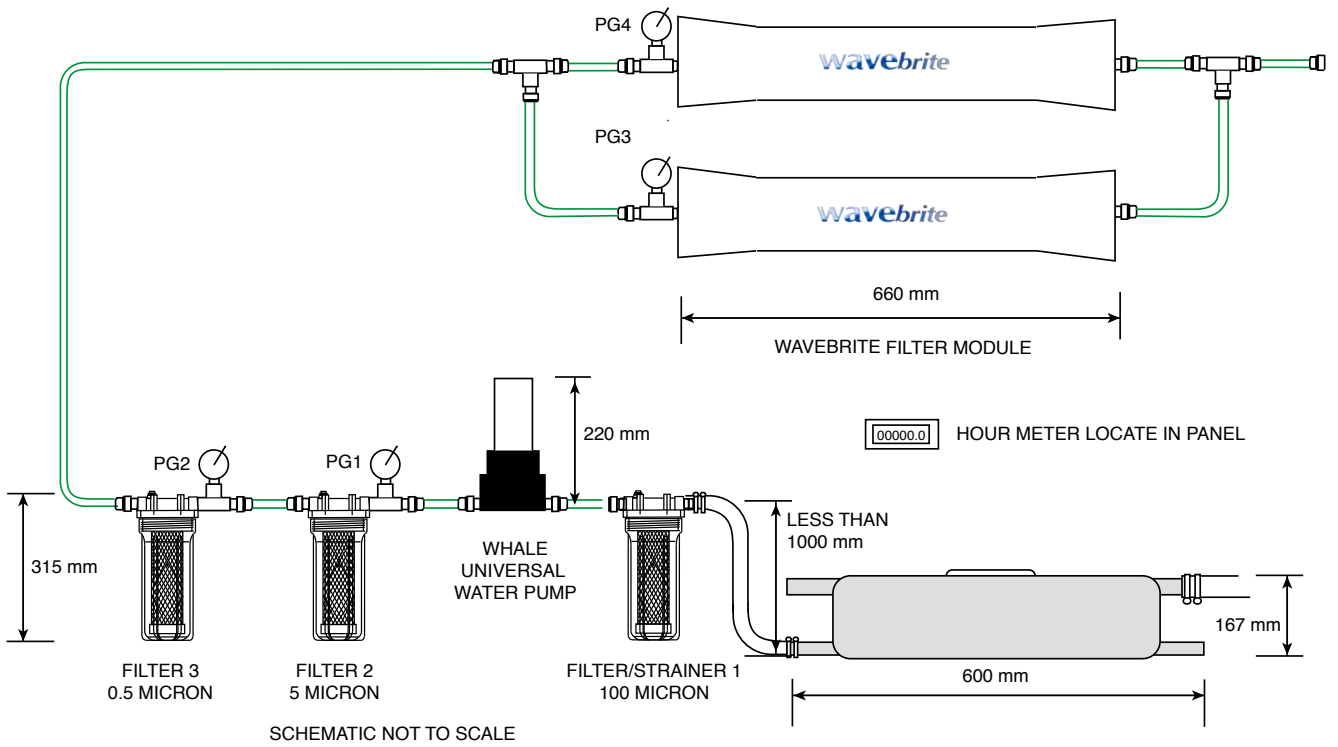
WBS / WBLite



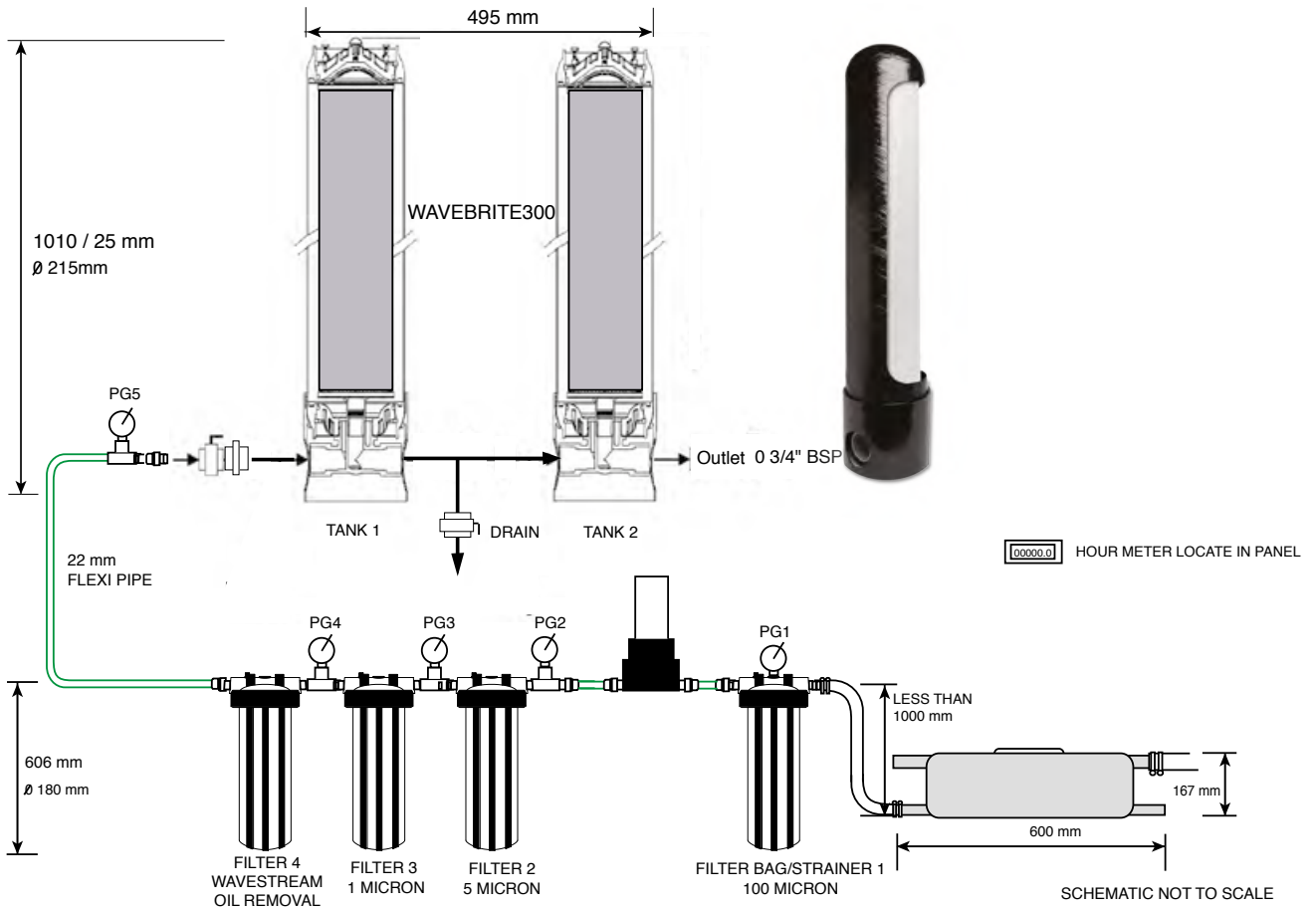
## Wavebrite WBS Schematic



## Wavebrite WB2010 Schematic



## Wavebrite WB300 Schematic



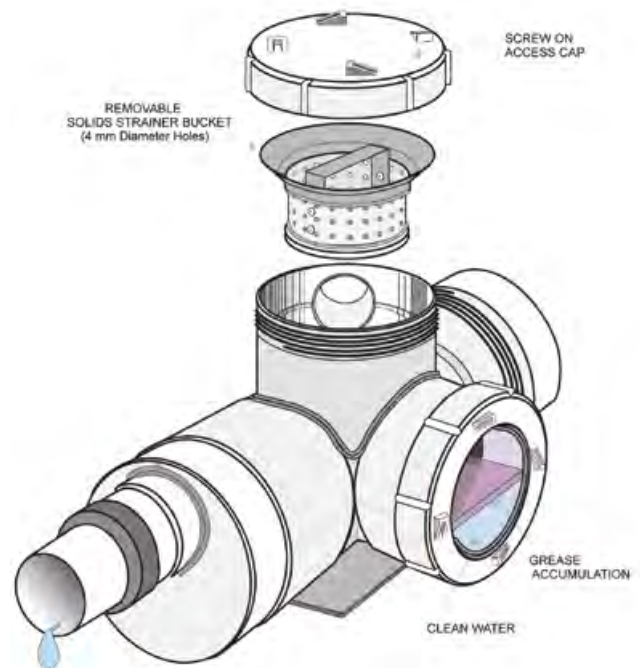
# Wave Filtration Systems

Product Range

## Wavebrite Grease Trap

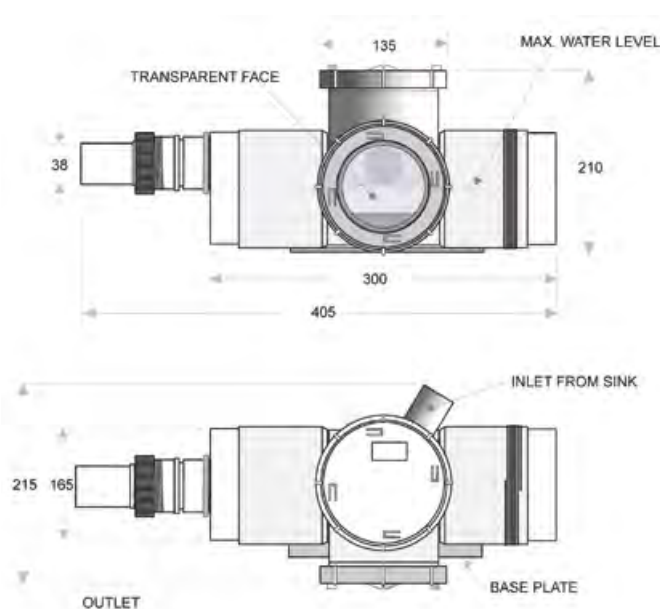
**The Wavebrite Grease Trap is a useful addition to any Wavebrite system when processing galley waste water. It removes food waste, fat and grease which helps prevent solids forming in the system and extends the life of the Wavebrite module and filter cartridges.**

- Simply installed in the drain from the galley sink or dishwasher
- Removes food debris, fat and grease retaining them in a food basket and grease trap reservoir
- Extends the life of the Wavebrite module and filter cartridges and improves pump efficiency
- The fat / grease level is visible through the inspection glass which indicates when the trap needs servicing
- Two sizes are available - 1.75 and 4.50 litre

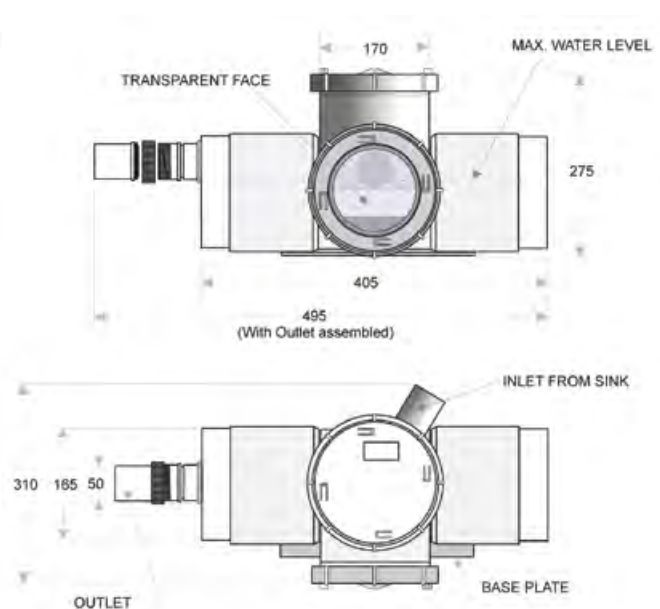


Wavebrite		
Reference	Part No.	Description
WBGT/1.75	H021005	Wavebrite Grease Trap 1.75l capacity
WBGT/4.5	H021006	Wavebrite Grease Trap 4.50l capacity

**Wavebrite 1.75l Dimensions**



**Wavebrite 4.50l Dimensions**



## Flostream Drinking Water Cartridge and Head

**Designed to provide premium quality drinking water and for all food service applications. Available in two sizes giving a practical, cost effective point of use solution for safe, healthy water.**

- NSF 42 & 53 Certified to meet health and aesthetic standards
- Chlorine, taste and odour reduction
- Limescale and KDF inhibition, anti-bacterial and reduces heavy metals
- Cyst reduction, removes contaminants that cause health issues
- Bacteriostatic control to inhibit microbial growth in the water system
- Cartridge easy connect / release with a quarter turn
- Pressure range 0.7 - 8.5 bar. Temperature range 2 - 38°C. Recommended flow rate 1.9l/min
- Simple installation with push-fit connectors for standard 10mm flixi-pipe. Install in vertical position with cartridge hanging down for easy replacement

Flostream		
Reference	Part No.	Description
FLOW2	H019878	Flostream Cartridge 2 replacement cartridge, length plus head 264mm. Capacity 3,800l
FLOW4	H021009	Flostream Cartridge 4 replacement cartridge, length plus head 372mm. Capacity 7,600 litres
FLOWPHD	H021008	Flostream Universal Head with 10mm quick connect ports
FLOWPHD15	H019877	Flostream Universal Head with 15mm quick connect ports



## Flostream HiFlo Drinking Water Filter and Cartridge

- WRAS and NSF Certified components and filter cartridge
- Chlorine, taste and odour reduction
- Limescale inhibition and reduces heavy metals
- Bacteriostatic control to inhibit microbial growth in the water system
- Cartridge easy connect / release with a quarter turn.
- Pressure range 0.7 - 8 bar. Temperature range 2 - 38°C. Recommended flow rate 6l/min
- Simple installation with push-fit connectors for standard 10mm flixi-pipe. Conversion to BSP connectors on request

Flostream HiFlo		
Reference	Part No.	Description
FLOHFSG	H021010	Flostream HiFlo cartridge and twist lock housing with 10mm quick connect ports
FLOHFC	H19880	Flostream HiFlo replacement cartridge, length plus head 390mm. Capacity 6,000 litres



# Wave Filtration Systems

Product Range

## Flostream HiFlo 10 Drinking Water Filter and Cartridge

**The Flostream HiFlo 10 is designed for higher flow rate drinking applications to provide premium quality, safe, healthy drinking water.**

- WRAS and NSF Certified components and filter cartridge
- Chlorine, taste and odour reduction
- Limescale inhibition and reduces heavy metals
- Bacteriostatic control to inhibit microbial growth in the water system
- Filter body easily removed with spanner provided.
- Pressure range 0.7 - 8.60 bar. Temperature range 4 - 51.7°C. Recommended maximum flow rate 10l/min
- Simple installation with push-fit connectors for standard 10mm or 15mm flixi-pipe. Conversion to BSP connectors on request.

Flostream HiFlo 10		
Reference	Part No.	Description
FLOHF10	H021011	Flostream HiFlo housing, cartridge and spanner with 10mm quick connectors
FLOHF10-15	H020049	Flostream HiFlo housing, cartridge and spanner with 15mm quick connectors
FLOHF10C	H021012	Flostream HiFlo replacement cartridge, length plus head 337mm. Capacity 6,000 litres



## Flostream Dock Water Filter, Cartridge and Hose

**The Flostream Dock Water Filter is installed in the water supply to pre-filter water when filling onboard tanks. Removing most impurities in three stages, further purification at the point of use can then be applied if required.**

- Removes particulates and chlorine improving the taste and smell as a pre-filter
- STAGE 1 - Removes large particulates
- STAGE 2 - Removes sediments down to one micron
- STAGE 3 - Effectively reduces Chlorines, smell and odours, improving taste and colour with bacteriostatic control
- Maximum pressure 6.20 bar. Temperature range 1 - 45°C. Recommended maximum flow rate 20l/min
- Simple installation, hose supplied with 3/4" BSP connectors. The filter is installed between the supply tap and the onboard tanks

Flostream HiFlo		
Reference	Part No.	Description
FDF	H021023	Flostream dock water filter and housing, cartridge, connections and supply hose
FDF-C1	H021024	Flostream dock water filter replacement cartridge, length plus head 315mm. Capacity 20,000 litres





## Waveair Holding Tank Vent Filter

**Eliminates foul smells in and around your boat from holding tank vents. Waveair is simply installed in the vent line after the tank and before the outlet. Removes the organic compounds that cause bad odours**

- Waveair uses a highly effective filter media, available in two sizes, 430mm and 200mm long, both for 16, 19 and 25mm hose connections
- Single module supplied with brackets and connections
- Easy filter replacement. Simply remove the complete filter after one year, retaining bracket and connections and insert replacement filter
- Not suitable for treated sewage with significant amounts of chemicals, chlorine or other oxidising agents within the tank

Waveair		
Reference	Part No.	Description
WAM16	H021025	Waveair Micro tank vent filter - 16mm
WAM19	H021026	Waveair Micro tank vent filter - 19mm
WAM25	H021027	Waveair Micro tank vent filter - 25mm
WAMC	H021028	Waveair Micro replacement filter - 16 & 19mm
WAMC25	H021030	Waveair Micro replacement filter - 25mm
WA16	H021013	Waveair tank vent filter - 16mm
WA19	H021014	Waveair tank vent filter - 19mm
WA25	H021015	Waveair tank vent filter - 25mm
WAC	H021016	Waveair replacement filter - 16 & 19mm
WAC25	H021031	Waveair replacement filter - 25mm

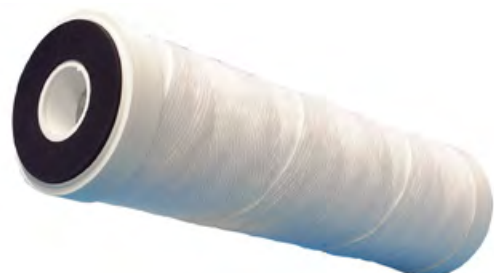


## PROstream Watermaker Duo Cartridge

**Unique pre-RO watermaker protection removes both sediment and trace oils. Combined string wound or melt blown cartridge with Wavestream oil removal technology. The PROstream cartridge replaces an existing pre-filter and offers additional oil protection phase**

- Protects main RO by efficient oil removal with high dirt holding properties
- Wide range of sizes, micron ratings and end cap configurations available.
- Consistent filtration over the life of the cartridge
- Marine, domestic and industrial applications

PROstream		
Reference	Part No.	Description
PRO-C1	H021017	PROstream wound outer 5 micron oil removal cartridge fits standard 10" housings
PRO-C1 / 20	H021018	PROstream wound outer 5 micron oil removal cartridge fits standard 20" housings
PRO-C2	H021019	PROstream wound outer 5 micron oil removal cartridge fits large diameter Big Blue 10" housings
PRO-C2 / 20	H021020	PROstream wound outer 5 micron oil removal cartridge fits large diameter Big Blue 20" housings



# Wave Filtration Systems

Product Range

## Waveshine Wash and Rinse System

**Waveshine is a washdown filter system that removes the minerals from water that causes spotting and smears when washing and rinsing your boat. When also used to filter water going onboard it removes hardness softening the water for regular use, protecting appliances, taps, sinks, showers, pumps and systems.**

- Waveshine 4250 and 8500 use a highly effective resin media with 4250 and 8500 litre capacities, depending on water hardness
- Replacement salt cartridges and hardness test kits available
- Waveshine can be used free standing on the dock or installed onboard. Saddle clamps work as a stand on the dock or as installation brackets
- Softened water dramatically reduces scaling in appliances, pumps and systems and improves the effectiveness of soaps and detergents reducing the impact on the environment

Waveshine		
Reference	Part No.	Description
WSN4250	H022157	Waveshine system with 4250 litre capacity, regeneration filter, salt cartridge, hose and hardness kit
WSN8500	H021021	Waveshine system with 8500 litre capacity, regeneration filter, salt cartridge, hose and hardness kit
WSN-CS1	H021022	Waveshine 4250 & 8500 regeneration cartridge
WSN-HK	H021029	Waveshine hardness test kit

